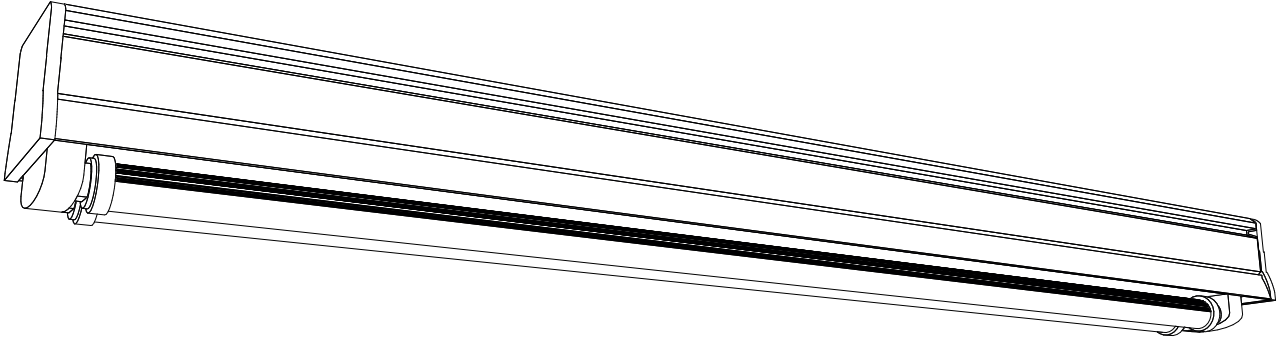


## 1.4 MONTAJ ve KULLANIM KILAVUZU

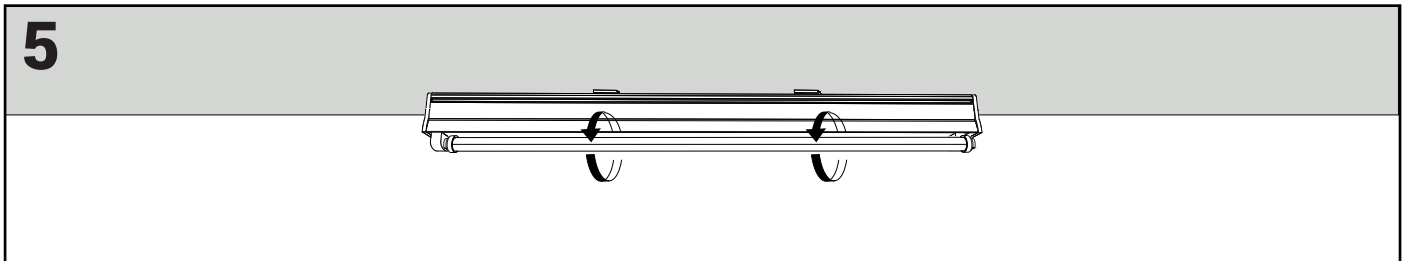
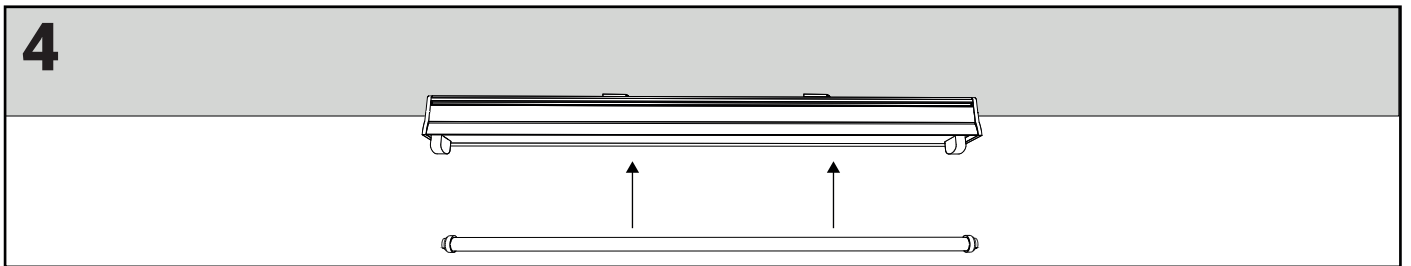
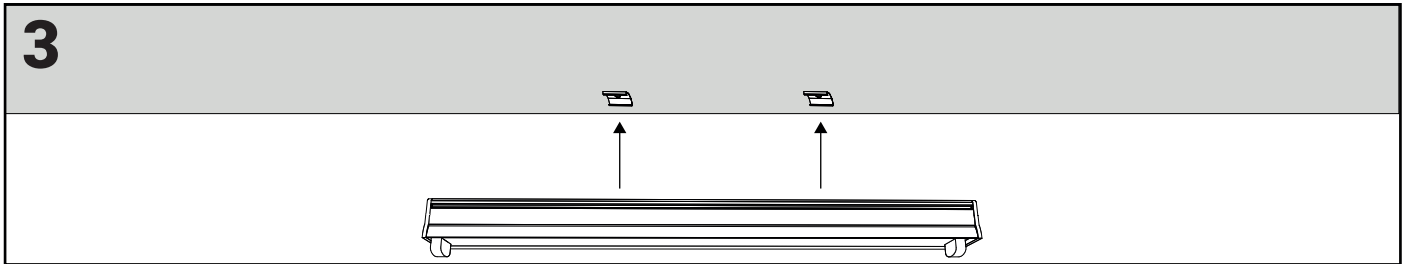
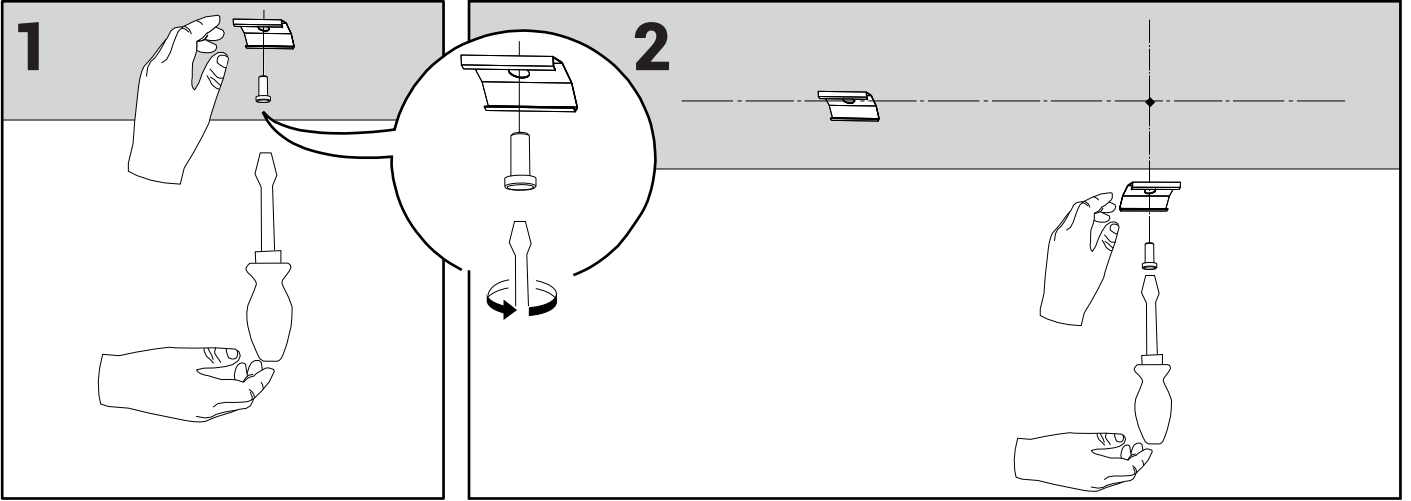
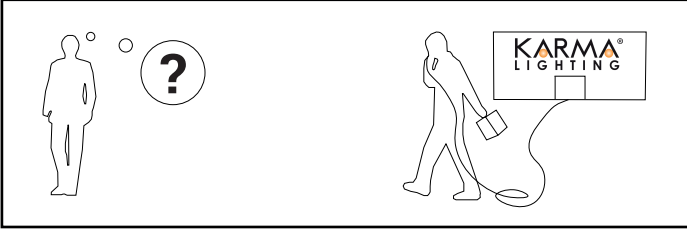
MOUNTING and USER GUIDE

# ECOLINE 2XT5

**ECOLINE 2XT5 - LINEER LED AYDINLATMA ARMATÜRÜ**  
*ECOLINE 2XT5 - LINEAR LED LIGHTING FIXTURE*



## SIVA ÜSTÜ MONTAJ TİPİ - TEKLİ KLİPS / SURFACE MOUNTING TYPE - SINGLE CLIP



SIVA ÜSTÜ MONTAJ TİPİ - ASKI TELLİ / SURFACE MOUNTING TYPE - SUSPENDED WIRE

