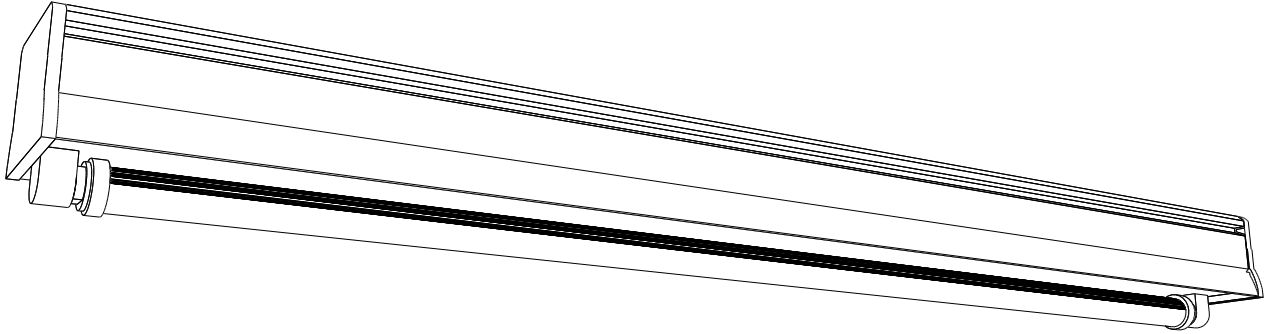


1.4 MONTAJ ve KULLANIM KILAVUZU

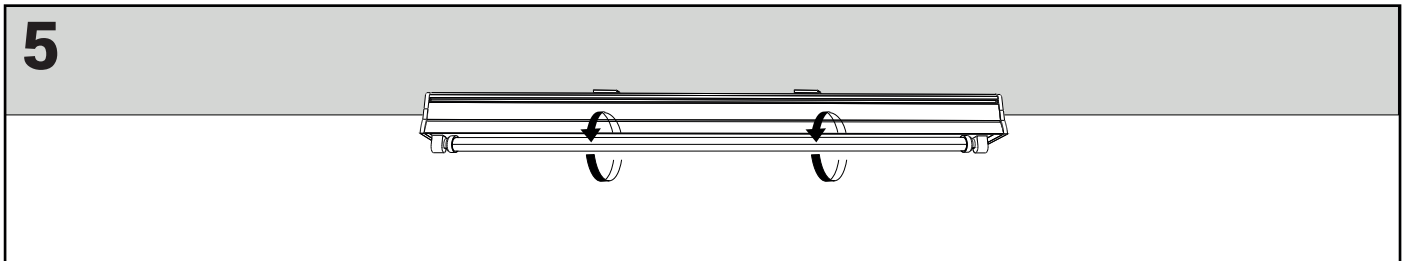
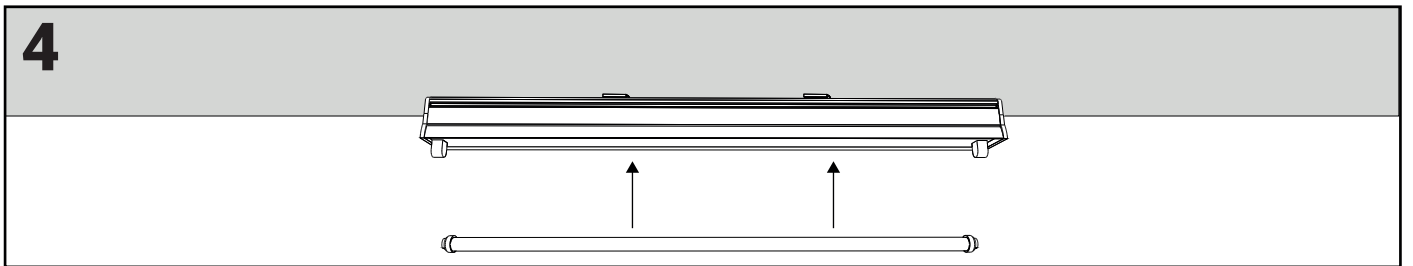
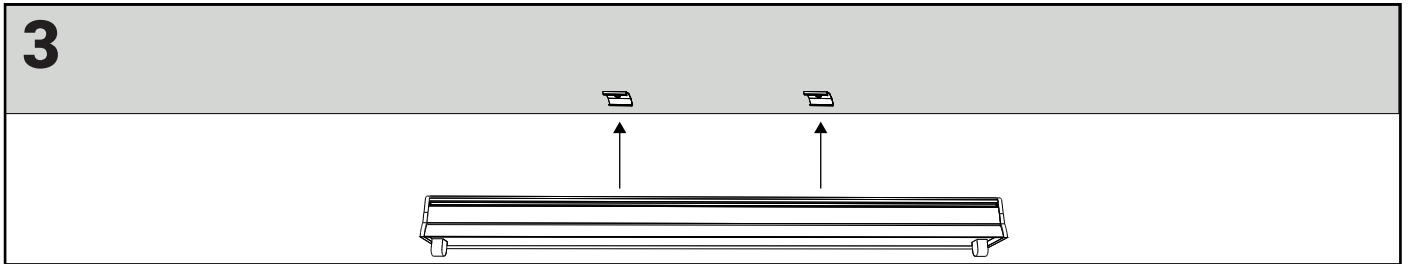
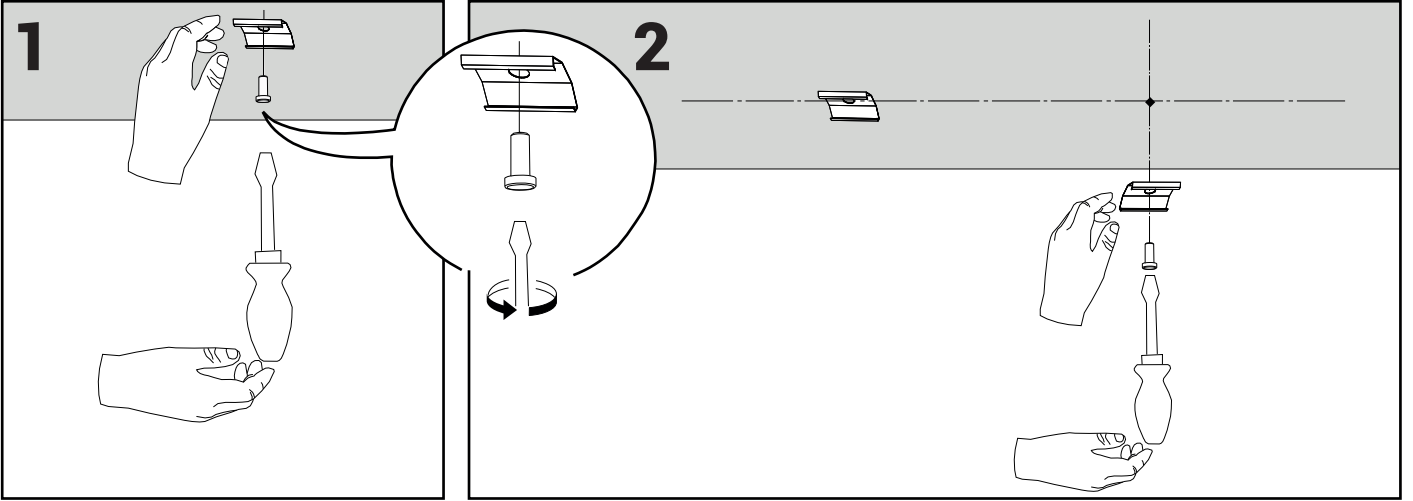
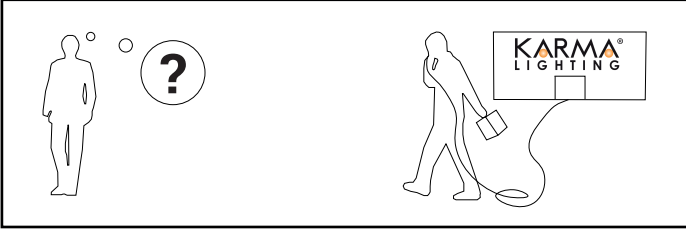
MOUNTING and USER GUIDE

ECOLINE 1XT5

ECOLINE 1XT5 - LINEER LED AYDINLATMA ARMATÜRÜ
ECOLINE 1XT5 - LINEAR LED LIGHTING FIXTURE



SIVA ÜSTÜ MONTAJ TİPİ - TEKLİ KLİPS / SURFACE MOUNTING TYPE - SINGLE CLIP



SIVA ÜSTÜ MONTAJ TİPİ - ASKI TELLİ / SURFACE MOUNTING TYPE - SUSPENDED WIRE _____

